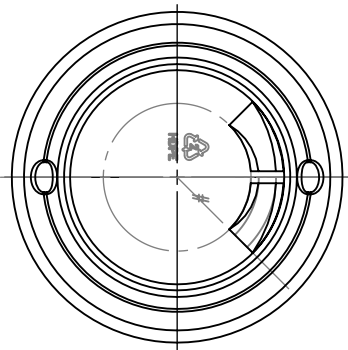


**SCALE 1:2**



ASTRO  
PLASTIC  
CONTAINERS

## 32oz HDPE DECANTIER

NECK FINISHES AVAILABLE	OVERFLOW HEIGHT	OVERFLOW CAPACITY	BOTTLE WEIGHT	PCS WEIGHT	PALLET COUNT T/L	PALLET COUNT LTL	T/L QTY
M28-400 SPEC.	9.616"	999ml ± 15	51g ± 2.5	20lbs	1,664	1248	49,920